

## bourdon tube pressure gauges stainless steel construction DS 4" (100mm)



PED 2014/68/EU



ATEX 2014/34/EU



These instruments are designed for industrial use and are built to withstand severe operating conditions and aggressive fluids. Each instrument undergoes an exclusive laser calibration procedure, ensuring extremely high accuracy. Filling the case with a damping liquid prevents condensation and protects against corrosive atmospheres, enhancing the instrument's resistance to vibrations and pulsating pressures

### 1.44.2 - Fillable Model

**Design:** EN 837-1.

**Safety designation:** S1 as per EN 837-2.

**Ranges:** from 0...15 to 0...6000 psi (from 0...1 to 0...400 bar or equivalent units).

**Accuracy class:** 1,6 as per EN 837-1.

**Ambient temperature:** -13...+149°F (-25...+65 °C).

**Process fluid temperature:** -13...+212 °F (-25...+100 °C).

**Thermal drift:** max ±0,4 %/10 °C of scale range (starting from +68°F- 20°C).

**Working pressure:**

75% of FSV for static pressure.

66% of FSV for pulsating pressure.

**Over pressure limit (15 min max):**

25% of FSV for pressure ranges ≤ 1500 psi (100 bar);

15% of FSV for pressure ranges over 1500 psi (100 bar).

**Protection degree:** IP 67 as per IEC 529.

**Socket material:** AISI 316L st.st.

**Elastic element:** AISI 316L st.st.

**Case:** stainless steel

**Ring:** stainless stees, crimped

**Window:** tempered glass.

**Movement:** copper and stainless steel.

**Dial:** aluminium, white with black markings, or with double red and black markings.

**Pointer:** not adjustable, aluminium,black.

### 1.44.3 - Filled Model

**Damping liquid:** glycerine 98%, silicon oil.

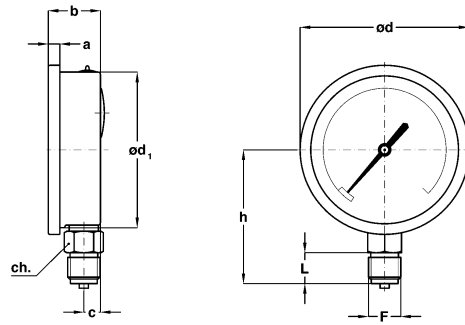
**Ambient temperature:**

+32...+149 °F (0...+65 °C) with glycerine filling;

-40...+149 °F (-40...+65 °C) with silicon oil filling.

**Process fluid temperature:** max +149°F (+65 °C).

**Other features:** as fillable model.



**A - LOWER CONNECTION**

F	a	b	c	od	od <sub>1</sub>	h	ch	L	Weight
41M - G 1/2 A	0.29" (7,5)	1.34" (34)	0.43" (11)	4.33" (110)	3.97" (101)	3.43" (87)	0.87" (22)	0.78" (20)	0.88 lbs (1) (0,4 kg)
43M - 1/2-14 NPT									

dimensions : inches (mm)

(1) Add 0.5 lbs (0,23 kg) when filled

**OPTIONS**

Model	fillable	filled
C - Back flange	◆	◆
2M1 - ATEX II 2G c IIA/B version (1)	≤ 6 bar	
2N1 - ATEX II 2GD c IIA/B version (1)	≥ 10 bar	◆
ARM -Stainless steel bayonet lock ring	◆	◆
L02 - Adjustable pointer (2)	◆	◆
K10 - Accuracy class 1 as per EN 837-1.	1...400 bar	4...40 bar
M02 - Stainless steel movement	◆	◆
P01 - Suitable for filling with silicone	◆	
S10 - Silicone filling		◆
TPC - Polycarbonate window	◆	◆
V11 - St.st. restrictor 0,7 mm	◆	◆

(1) To be ordered with polycarbonate window only. Suitable for installation with IIA and IIB gas types only. See the ATEX pressure gauges data-sheet for technical details

(2) To be order with bayonet lock ring

**“HOW TO ORDER” SEQUENCE**

Section / Model / Case / Mounting / Diameter / Range / Process connection / Options

1 44 2 A E 41M C  
 3 43M 2M1...V11